

Rugged Tag (Model: HKRAT-RT02)

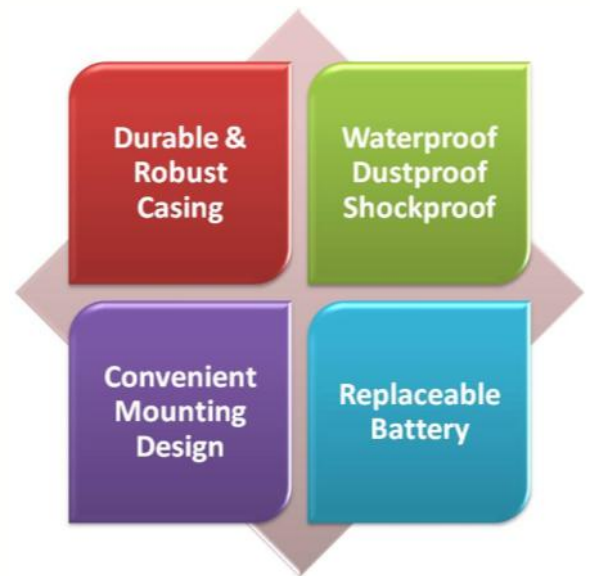
Garrison™ 2.4GHz Active RFID Tag

Rugged Tag has robust and durable waterproof casing for accurate performance in heavy duty environment. Flexible mounting design makes this tag the best choice for fixing on various items.

The Garrison™ Active RFID Tag family consists of a series of durable tags suitable for industrial use and asset tracking. The tags are manufactured with robust plastic to provide excellent durability for various usages even in harsh environments. Its robust design enables it to perform reliably in environments with metal and other non-RF-friendly items. Accuracy and readability is guaranteed at all times.

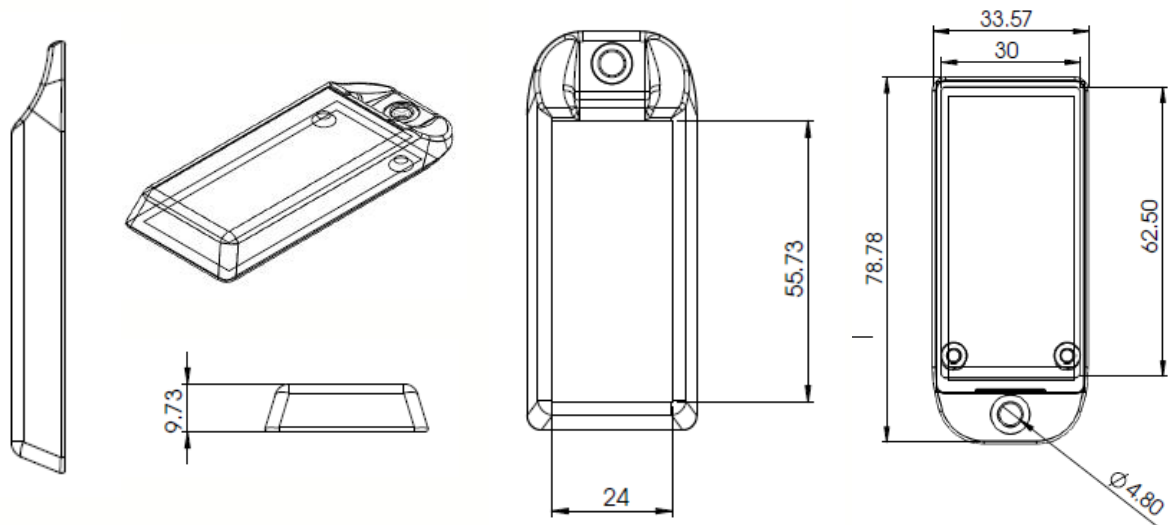
Rugged Tag adopts user-friendly mounting design. It can be attached to different items using double-sided tape or by fixing firmly to the hole at the end of the tag with bolts and nuts.

Rugged Tag has IP65 protection standard. It is waterproof, dustproof and shockproof while its battery is replaceable. It provides the most cost effective choice for operation in the long run.



Specification

Frequency	2.4GHz ~2.5GHz ISM
RF Power Output	0dBm (1mW)
Modulation	GFSK
Data Rate	1Mbps
Anti-Collision	Read more than 100 tags simultaneously
Operation	Read only
Operating Temperature	-30°C to +80°C
Battery Type	Lithium CR2450 replaceable coin cell
Battery Life	Around 3 years (battery life measured at 3-second beacon interval)
Maximum Reading Range	30 to 50 meters (Depends on reader and environment)
Dimension	78.8mm * 33.6mm * 9.7mm
Weight	25g



Product Certificates:



Company Awards:



For enquiries, please contact:

Email: sales@hk-rfid.com

Tel: (852) 3426 9511

Fax: (852) 3426 9519

Distributor: