

## Card Plus Tag (Model: HKRAT-CT02+)

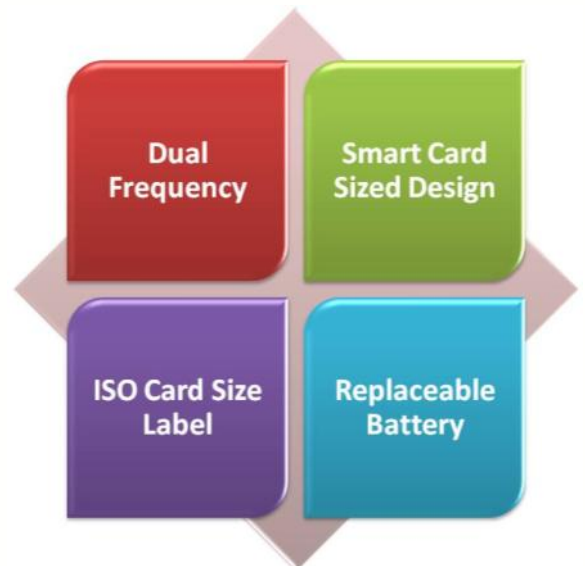
### Hussar™ Dual Frequency ISO Card Size RFID Tag

*Card Plus Tag is an RFID tag with ISO card size. It incorporates both active RFID in 2.4GHz and passive RFID in 13.56MHz (NFC), enabling a wider range of applications. Information can be printed on standard ISO card size label and shown on the tag.*

The Hussar™ Active RFID Tag family consists of a series of tags designed for flexible and convenient tagging of people in different applications. Though small in size, the reading distance of Hussar™ Tags used with Empress™ 2.4 GHz Active RFID Readers ranges from 5m to 50m.

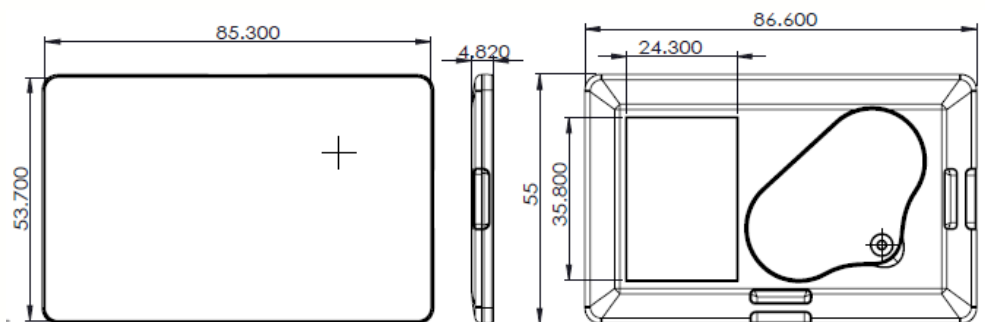
Card Plus Tag is a smart card sized tag which standard ISO card sized labels can be fitted on. Photos or any required information can be shown and displayed on the card for identification purpose using a printed label. Passive RFID tag functionality is added bringing greater flexibility for users. It can work as a proximity card while maintaining the unique features of 2.4GHz Active RFID.

Card Plus Tag is suitable for applications where short range reading of passive tags and long range reading of active tags are both needed to enhance system effectiveness. It is highly recommended for access control, payment and CRM applications.



## Specification

Frequency	2.4GHz ~2.5GHz ISM & 13.56MHz
RF Power Output	0dBm (1mW)
Modulation	GFSK
Data Rate	1Mbps
Anti-Collision	Read more than 100 tags simultaneously
Operation	Read only
Operation Temperature	-30°C to +80°C
Battery Type	2 Lithium CR2032 replaceable coin cells
Battery Life	Around 2 years (battery life measured at 1-second beacon interval)
Maximum Reading Range	30 to 50 meters (Depends on reader and environment)
Dimension	87mm x 55mm x 4.8mm
Weight	23g



Recommended Label Dimension:

24 mm x 36 mm

Product Certificates:



Company Awards:



For enquiries, please contact:

Email: [sales@hk-rfid.com](mailto:sales@hk-rfid.com)

Tel: (852) 3426 9511

Fax: (852) 3426 9519

Distributor: