

## Moist Tag (Model: HKRAT-HT02)

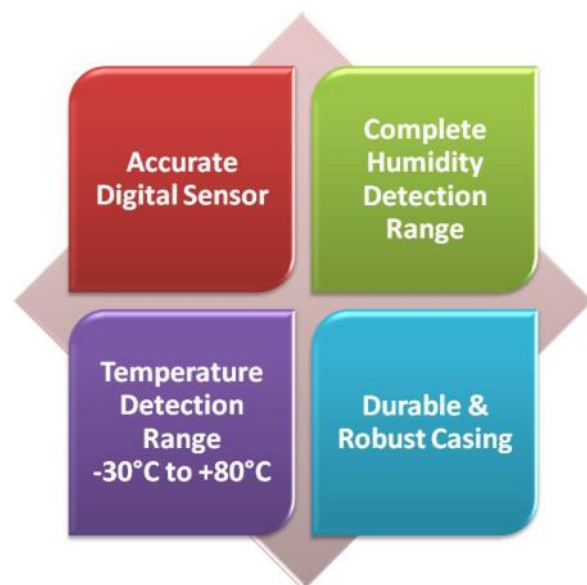
### Tempcorder™ 2.4GHz Active RFID Tag

**Humidity and temperature sensing tag that can detect humidity range of 0-100% and temperatures from -30° C to +80° C for environment control or hazard prevention applications.**

The Tempcorder™ Active RFID Tag family consists of a series of environment sensing active RFID tags equipped with accurate sensors and powerful RFID functionality. Not only do all Tempcorder™ Active RFID Tags provide excellent reading range and reliability, their unique product design allows flexibility in applying tags on different objects.

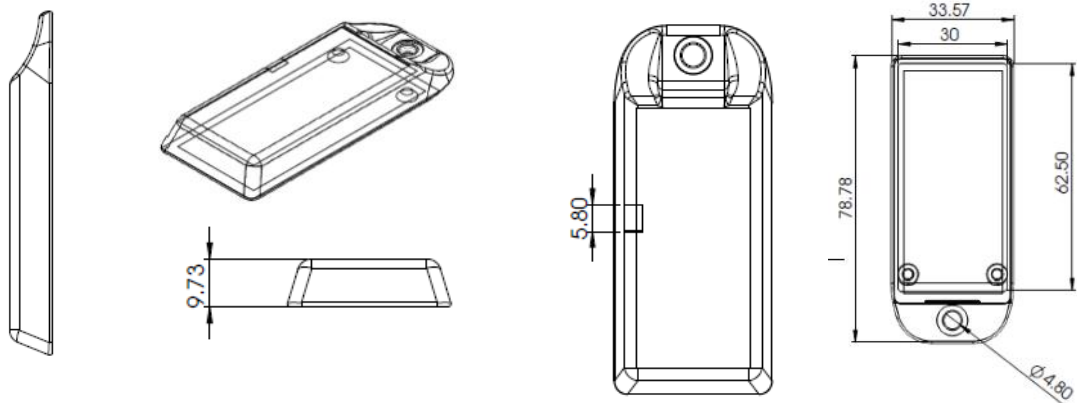
**Moist Tag** is equipped with a humidity sensor of up to 1% resolution enabling it to deliver real time humidity and temperature data for environment monitoring applications. Instant humidity and temperature information are being sent along with the tag ID to the reader and then to the central server periodically empowering accurate and timely data for strict environment control and monitoring applications.

**Moist Tag's** design is robust yet compact making the attachment of it onto different objects easy and firm. Along with the tag's replaceable battery and long battery life features, **Moist Tag** makes a cost effective choice for humidity sensing applications.



## Specification

Frequency	2.4GHz ~ 2.5GHz ISM
RF Power Output	0dBm (1mW)
Modulation	GFSK
Data Rate	1Mbps
Anti-Collision	Read more than 100 tags simultaneously
Operation	Read only
Battery Type	Lithium CR123A cylindrical cell
Battery Life	Around 2 years (battery life measured at 5-second beacon interval)
Reading Range	30 to 50 meters (depends on reader and environment)
Dimension	78.8mm x 33.6mm x 9.7mm
Weight	25g
Detection Temperature Range	-25°C to +80°C
Operation Temperature Range	-25°C to +80°C
Temperature Accuracy	+/- 1°C
Temperature Resolution	0.5°C
Humidity Detection Range	0 - 100%
Humidity Resolution	1%
Humidity Accuracy	+/- 5%



### Product Certificates:



For enquiries, please contact:  
Email: sales@hk-rfid.com  
Tel: (852) 3426 9511  
Fax: (852) 3426 9519

### Company Awards:



Distributor: