

Sense Tag (Model: HKRAT-TT02)

Tempcorder™ 2.4GHz Active RFID Tag

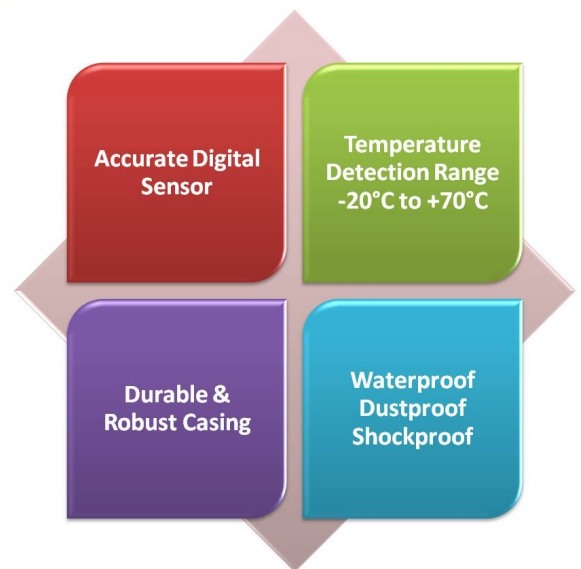
Temperature sensing tag with robust and durable waterproof casing for environment control or hazard prevention applications. Compact design makes this tag the best choice for attaching to various objects.

The Tempcorder™ Active RFID Tag family consists of a series of environment sensing active RFID tags equipped with accurate digital sensors and powerful RFID functionality. Not only do all Tempcorder™ Active RFID Tags provide excellent reading range and reliability, their unique product design allows flexibility in applying tags on different objects.

Sense Tag has a compact but robust casing making it most suitable for applications in harsh environments. It has IP65 standard of being waterproof, dust proof and shockproof.

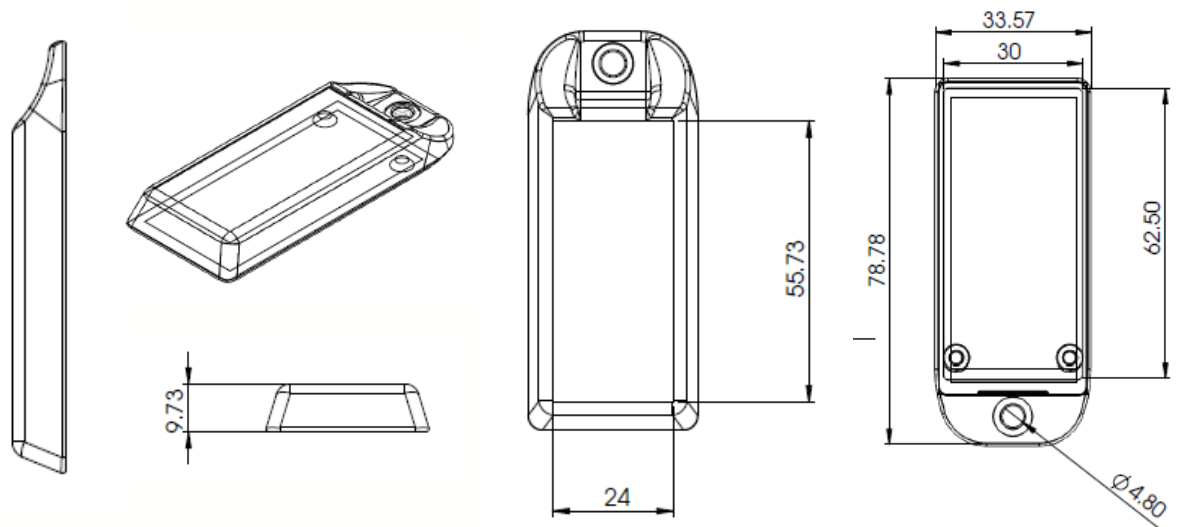
Sense Tag can be attached to various objects like servers, racks and walls easily without much installation or attachment works done.

Sense Tag has a battery life of more than 3 years. With its robust and durable design, the tag is suitable for long term usage even in harsh environments.



Specification

Frequency	2.4GHz ~ 2.5GHz ISM
RF Power Output	0dBm (1mW)
Modulation	GFSK
Data Rate	1Mbps
Anti-Collision	Read more than 100 tags simultaneously
Operation	Read only
Battery Type	Lithium CR2450 replaceable coin cell
Battery Life	Around 3 years (battery life measured at 3-second beacon interval)
Reading Range	30 to 50 meters (depends on reader and environment)
Dimension	78.8mm x 33.6mm x 9.7mm
Weight	25g
Detection Temperature Range	-20 °C to +70 °C
Operation Temperature Range	-30 °C to +80 °C
Temperature Accuracy	+/- 1 °C
Temperature Resolution	0.1 °C



Product Certificates:



Company Awards:



For enquiries, please contact:

Email: sales@hk-rfid.com

Tel: (852) 3426 9511

Fax: (852) 3426 9519

Distributor: