

Responsive Tag (Model: HKRAT-ZT02)

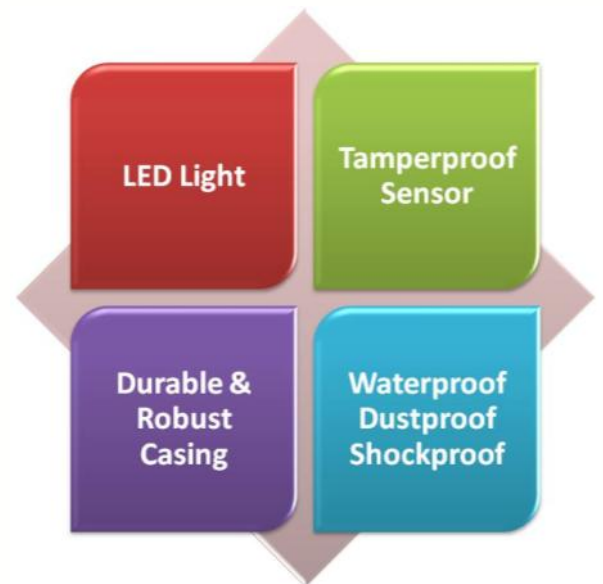
Garrison™ 2.4GHz Active RFID Tag

Responsive tag features a LED light and tamperproof sensor that can be used for sophisticated asset tracking and security applications. Robust design of the tag enables it to provide accurate data even under harsh environment.

The Garrison™ Active RFID Tag family consists of a series of durable tags suitable for industrial use and asset tracking. The tags are manufactured with robust plastic to provide excellent durability for various usages even in harsh environments. Its robust design enables it to perform reliably in environments with metal and other non-RF-friendly items. Accuracy and readability is guaranteed at all times.

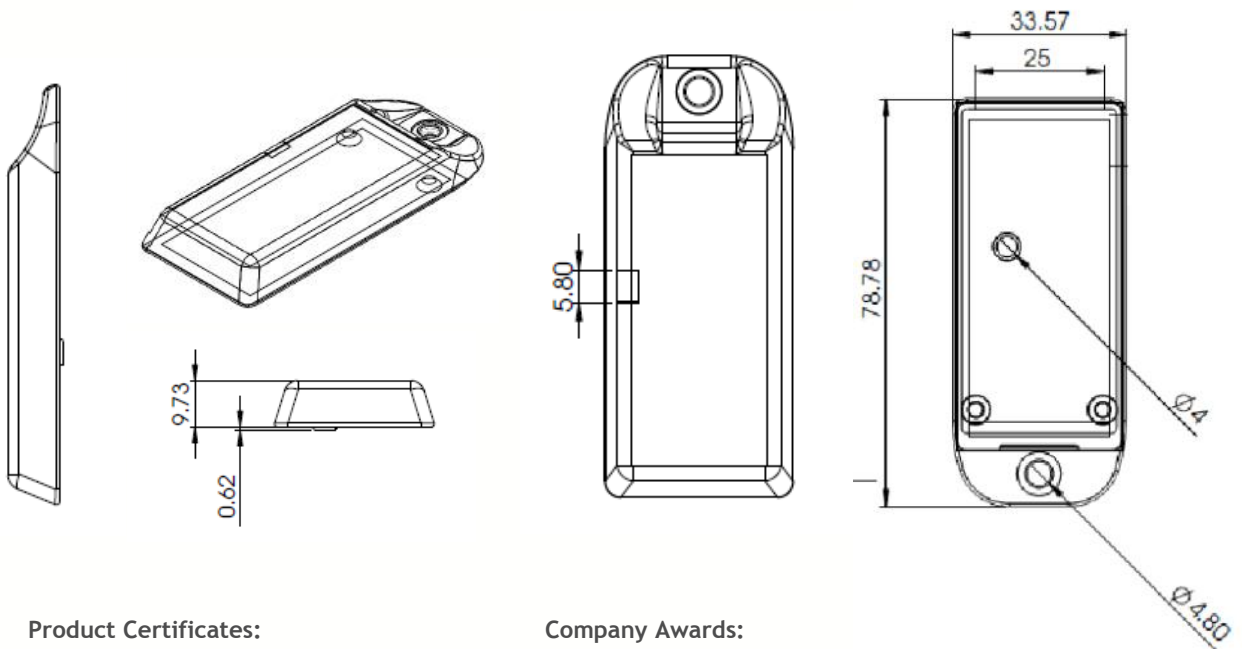
Responsive Tag has LED light and tamperproof sensor. The LED light would light up when it receives signal from the reader while a signal would be sent to the reader if the tamperproof sensor is triggered. Such interactivity of the tag enables higher level of security and accuracy for asset tracking and monitoring applications.

Responsive Tag is user-friendly and convenient for installation. The battery of the tag lasts for around 3 years and is replaceable. This brings the most cost effective operation in the long term.



Specification

Frequency	2.4GHz ~2.5GHz ISM
RF Power Output	0dBm (1mW)
Modulation	GFSK
Data Rate	1Mbps
Anti-Collision	Read more than 100 tags simultaneously
Operation	Read only
Operation Temperature	-30°C to +80°C
Battery Type	Lithium CR2450 replaceable coin cell
Battery Life	Around 3 years (battery life measured at 3-second beacon interval)
Maximum Reading Range	30 to 50 meters (Depend on reader and environment)
Dimension	78.8mm * 33.6mm * 9.7mm
Weight	25g
Others	LED Light & Tamperproof Sensor



Product Certificates:



Company Awards:



For enquiries, please contact:

Email: sales@hk-rfid.com

Tel: (852) 3426 9511

Fax: (852) 3426 9519

Distributor: